

MASTER PORTABLE HEATER MODELS B140 & B140D
 Spec. No. 2968G02 & 3059G01 Spec. No. 2968G03 & 3059G02
 Form No. 2693 (10/70)

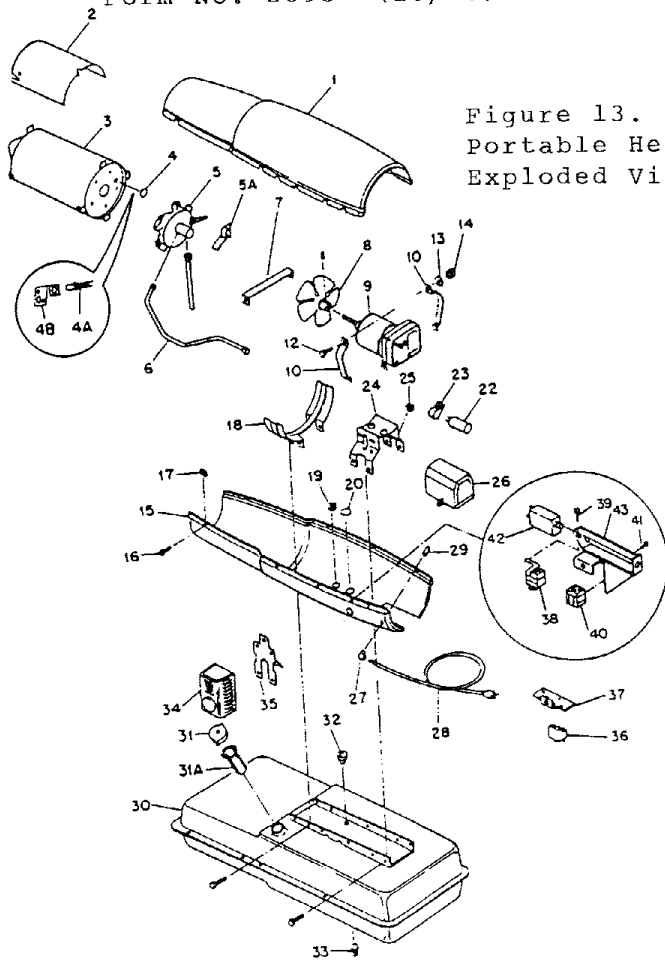


Figure 13.
 Portable Heater,
 Exploded View

WHEELS, HANDLES, MARKINGS

Index No.	Part Number	Part Name or Description	Ref Notes	Quan.
1	M14243A	Handle Rear	&	1
-	M14243-2	Handle, Rear	+	1
2	M14244A	Handle, Front	&	1
-	M14244-2	Handle, Front	+	1
3	M12831A	Frame, Wheel Support	&	1
-	M12831-2	Frame, Wheel Support	+	1
4	M12345-34	Screw		8
5	NTC-3C	Nut, Torque Lock No. 10-24		8
6	M16802	Hub Cap		2
7	M16741-15	Ring, Retaining		2
8	WP-8C	Washer, Flat 1/2 inch		2
9	M19295	Wheel		2
10	M16801-2	Axle		1

& Standard Models Only.
 + Deluxe Models Only.

STANDARD SCREWS

Part Number	Part Name or Description
FHPP3-7C	Screw, Fillister hd., No. 10-32 x 7/8 in.
HC4-10C	Screw, Hex hd., machine, 1/4-20 x 1-1/4 in.
M11084-27	Screw, Self-tapping hex hd., No. 10-12-1/2 in., Type "A"
M11084-29	Screw, Self-tapping, hex hd., No. 10-12 x 3/4 in., Type "A"
M12345-31	Screw, Oval hd., machine, No. 10-24 x 1-1/4 in.
M12345-34	Screw, Oval hd., machine, No. 10-24 x 2 in.
M12461-31	Screw, Hex hd., No. 10-32 x 1 in.
M12461-34	Screw, Hex hd., No. 10-32 x 1-1/2 in.
M15823-26	Screw, Self-tapping, hex hd., No. 10-12 x 3/8 in., Type "B"

STANDARD

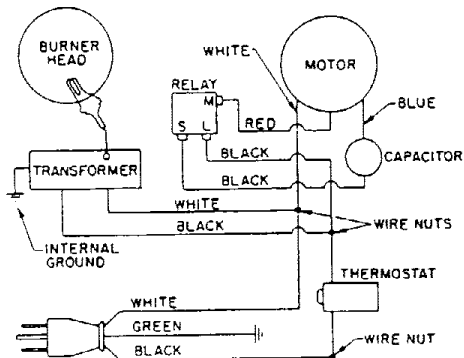


Figure 9. Standard and Deluxe Wiring Diagrams

DELUXE

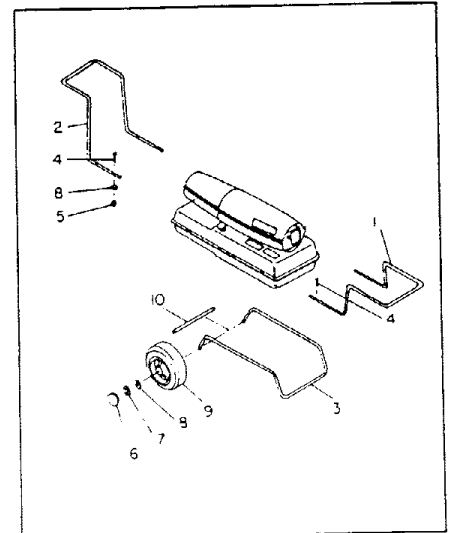
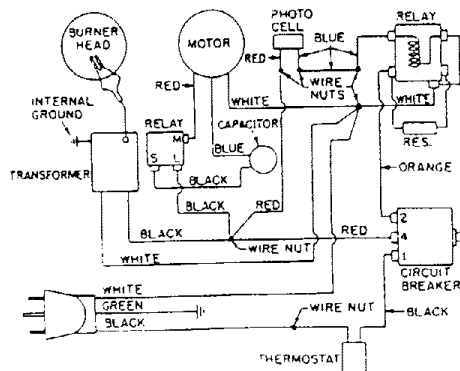


Figure 17. Handles, Wheels, Markings

MASTER PORTABLE HEATER MODELS B140 and B140D
 Spec. No. 2968G02 & 3059G01 Spec. No. 2968G03 & 3059G02
 Form No. 2693 (10/70)

Index No.	Part Number	Part Name or Description	Ref. Notes	Quan.
1	M17015G1A	Shell Assy, Upper	c	1
2	M16679	Deflector, Heat		1
3	M16887G5	Combustion Chamber		1
-	M11084-27	Screw (Combustion Chamber attaching, front)	*S	2
-	M11084-29	Screw (Combustion Chamber attaching, rear)	*S	2
4	M15995	Plug Button (Rear head of combustion chamber)	&	1
4A	M16656G1	Cell and Bushing Assy.	+	1
4B	M16660	Bracket, Photo Cell	+	1
5	Ref.	<u>Burner Head Assembly</u> (See Figure 14)		1
-	M11084-27	Screw (Burner Head to Combustion Chamber)	*S	3
5A	M19488	Limitter, Air		1
6	M16804	Air Line	3	1
7	M16871	Strap, Retainer		1
-	M11084-27	Screw (Retainer Strap to Lower Shell)	*S	2
8	M17058	Fan, 16" Pitch		1
-	SF4-2-1/2K	Setcrew, Soc. hd., cup pt, 1/4-28 (Fan to Motor Shaft)		2
9	Ref.	<u>Motor Package Assembly</u> (See Figure 15)	3	1
10	M16661	Clamp, Motor		4
11	Not Used			
12	HC4-10C	Screw (Motor Clamps)	*S	2
13	WLM-4	Lockwasher, 1/4 in. (Motor Clamps)	S	2
14	NPC-4C	Nut, Hex, 1/4-20 (Motor Clamps)		2
15	M16810A	Shell, Lower	c	1
16	M11084-27	Screw (Upper Shell to Lower Shell)	*S	3
17	M11271-6	Nut, Tinnerman (Upper Shell to Lower Shell)	S	3
18	M12828A	Bracket, Shell Support		1
-	M11084-27	Screw (Support Bracket to Lower Shell and Fuel Tank)	*S	6
-	M11084-29	Screw (Lower Shell to Support Bracket)	*S	2
19	1000576	Grommet (Ignition Cable thru Lower Shell, Thermostat Leads thru Lower Shell)	&	3
19	1000576	Grommet (Cables and Leads thru lower Shell)	+	4
36	M18598G1	Relay and Bracket Assy	&	1
	M12462-6	. Relay, Starting	&	1
	RC2-2C	. Screw (Relay to Relay Bracket)	*&	2
	WLI-2	. Lockwasher	*&	2
37	M11952	. Bracket, Mounting	S	1
	M16852G4	Relay and Bracket Assy	+	1
38	M12462-6	. Relay, Starting	+	1
39	RC2-2C	. Screw (Relay to Relay Bracket)	**	2
40	M14378G1	. Relay Assembly	+	1
41	M12461-2	. Screw (Relay to Relay Bracket)	**	1

Index No.	Part Number	Part Name or Description	Ref. Notes	Quan.
20	M15809	Plug Button (for 1/2" dia. hole)		1
21	Not Used			
22	M12650-1	Capacitor		1
23	M12651	Clamp, Tinnerman (Capacitor Mounting)		1
-	M11084-27	Screw (Capacitor Clamp to Motor Support Bracket)	*S	1
24	M16645	Bracket, Motor Support		1
-	M11084-27	Screw (Motor Support Bracket to Lower Shell and Fuel Tank)	*S	6
25	1000577	Grommet (Motor and Capacitor Leads thru Motor Support Bracket)		2
-	M15823-26	Screw (Service Cord grounding to Motor Support Bracket)	*S	1
26	M16697	Transformer, 5000-Volt	3	1
-	M11084-27	Screw (Transformer to Motor Support Bracket)	*S	2
27	M11954	Bushing, Strain Relief (Service Cord to Lower Shell)		1
28	M10813G33	Service (Extension) Cord		1
29	M13942-2	Connector (Wire Nut)	S&	1
-	M13942-2	Connector (Wire Nut)	S+	4
-	M13942-4	Connector (Wire Nut) approx. 7/8 in. long	S	2
-	M9900G77	Wire Assy. (to Capacitor)		1
30	M18571G2A	Fuel Tank	*c	1
31	M18051	Cap, Fuel Tank	#	1
31A	M18053	Screen, Filler Neck	#	1
32	M10990-3	Bushing, Rubber (Fuel Filter into Fuel Tank)		1
33	M21040	Plug, Pipe, 1/4 in., Hex hd. (Fuel Tank Drain)		1
34	Ref.	<u>Thermostat Assy.</u> (See Figure 16)		1
-	M10908-1	Screw (Thermostat to Bracket)		4
35	M15814A	Bracket, Thermostat		1
-	M12461-31	Screw (Thermostat Bracket to Lower Shell)		2
-	M12250-1	Nut, Tinnerman, No. 10-24 (Thermostat Bracket to Lower Shell)		2
42	M14360	. Circuit Breaker	+	1
43	M16851G1	. Bracket Assy, Control	+	1
	M11084-27	Screw (Relay Mounting Bracket to Lower Shell)	*S	1
	ST2-2AC	Screw (Grounding)	*	2
	M9900G62	Wire Assy.	S	1
	M16615G1	Wiring Harness Assy.	+	1
	M10908-1	Screw (photocell bracket)	+	2

Replace fuel tank No. M16806G1 and Cap No. M3353 as a set.
 * See Listing of Standard Hardware, Page 23, for description.
 c Specify color when ordering painted parts.
 + Deluxe Models Only.
 & Standard Models Only.
 3 Parts recommended for normal replacement by owner or user.
 S Standard Hardware - procurable locally in most areas.

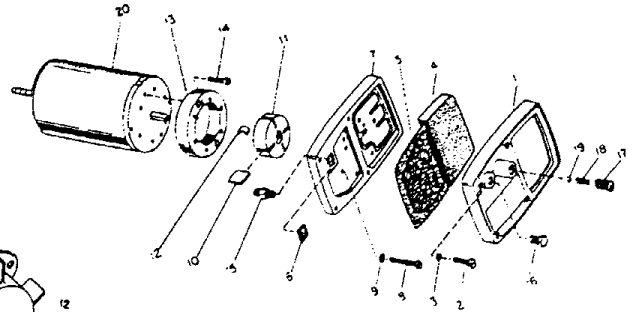
MASTER PORTABLE HEATER MODELS B140 & B140D
 Spec. No. 2968G02 & 3059G01 Spec. No. 2968G03 & 3059G02
 Form No. 2693 (10/70)

MOTOR PACKAGE ASSEMBLY

Index No.	Part Number	Part Name or Description	Ref. Notes	Quan.	Index No.	Part Number	Part Name or Description	Ref. Notes	Quan.
-	M16805G1	Motor Package Assembly (See Figure 13, Index No. 9)	3++	1	10	M8643-3	Blade		4
-	M17875G1	Motor Package Assembly (See Figure 13, Index No. 9)	3	1	11	M13635-3	Rotor		1
-	M16675G2	Pump and Filter Parts Package		1	12	M14856	Spring		1
1	M16545	End Cover, Filter		1	13	M8645-3	Pump Body		1
2	M12461-31	Screw (Filter End Cover to Pump End Cover)	*3	4	14	FHPF3-7C	Screw (Pump Body to Motor)	*5	2
3	WLI-3	Lockwasher, Internal, No. 10	3	4	15	M5976	Connector, Male		1
4	M12179	Intake Air Filter	3	1	16	M10837	Pipe Plug, Hex hd.		1
5	M12244G1	Output Filter Assy	3	1	17	M10992-1	Screw, Pressure Adjustment		1
6	M11637	Filter, Lint	3	1	18	M10993-1	Spring, Compression (Pressure Relief)		1
7	M12233	End Cover, Pump (Port Plate)		1	19	M8940	Ball, 1/4 in. dia.		1
8	M12461-34	Screw (End Cover to Motor)	*3	6	20	M17814	Motor		1
9	WLI-3	Lockwasher, Internal, No. 10	3	6	-	M16675G2	Kit, Pump and Filter		1
					-	M20711-1	Kit, Motor Replacement (Replaces Motor M12811)		1
					-	M20725-1	Kit, Motor Package Replacement (Replaces M12864G1 and M16674G1)		1

* See Listing of Standard Screws, Page 23, for description.
 3 Parts recommended for normal replacement by owner or user.
 3 Standard Hardware-procurable locally in most areas.
 ++ Superseded by Motor Package Assy., Part No. M17875G1.
 Order Replacement Kit No. M20725-1.

Figure 15. Motor Package Assembly



BURNER HEAD ASSEMBLY

Index No.	Part Number	Part Name or Description	Ref. Notes	Quan.
-	M16803G3	Burner Head Assembly (See Fig. 13, Index No. 5)	@	1
1	M16789G3	Filter Assy. Fuel	@	1
1A	M16790-3	Filter Tube	@@	(1)
1B	M19630	Filter, Fuel	@@	(1)
2	M13849	Nut, Flare		1
3	M16741-18	Ring, Retaining		1
-	M16787G3	Nozzle Adapter Assy		1
4	M16791	Connector, Male		1
5	M5976	Connector, Male		1
6	M8882	Sleeve, Nozzle Seal		1
7	M10659-1	Washer, Nozzle Seal		2
8	M10809-1	Spring, Nozzle Seal		1
9	M18022	Nozzle, Aspirating, 1.0 gph		1
10	M16535	Adapter, Nozzle		1
11	M16895G1	Spark Plug Assy (Not available separately)	@	1
13	M18023	Body, Burner Head		1

@ Parts recommended for normal replacement by owner or user.
 @@ Set of parts supersedes M16789G3.

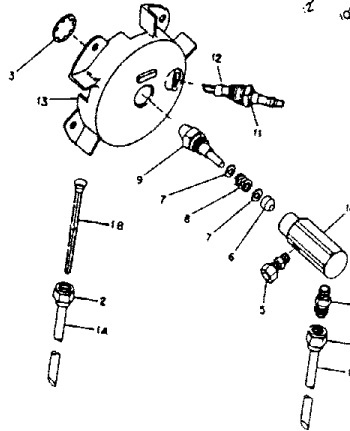


Figure 14. Burner Head Assembly

THERMOSTAT ASSEMBLY

Index No.	Part Number	Part Name or Description	Ref. Notes	Quan.
-	M17073	Thermostat Assy.	+	1
1	M16143	Thermostat Assy. (See Figure 13, Index No. 34)	&	1
2	M16152	Knob, Thermostat		1
3	M16154	Spring, Ther- mostat Knob		1
4	M11954	Bushing, Strain Relief		1

+ Deluxe Models Only.
 & Standard Models Only.

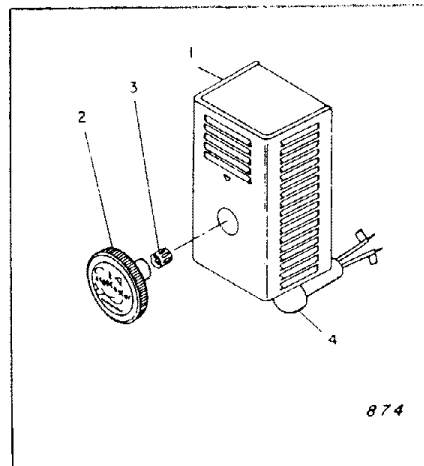


Figure 16. Thermostat Assembly