

REDDY HEATER M50S SPEC 3183G13

LOW PRESSURE FORM 2907-02

M50092-03

Index No.	Part Number	HEATER PARTS LIST Part Name	Qty.
1	M25030-2B	Shell, Upper	1
2	M12461-49	Screw, Hex hd. No. 10-24 x 1/4	6
3	NPC-3C	Nut, Plain 10-24	6
4	M25278	Handle	1
5	M12439K	Support, Handle	2
6	M10908-58	Screw, Hex hd. No. 10-24 x 1-1/2 (AP)	4
6A	WP-4C	Washer, Plain No. 10 (AP)	4
7	M25019-1	Combustion Chamber Assy	1
8	M11084-26	Screw, Hex. hd. Self-tapping No. 10-12 x 3/8 in. (AP)	4
9	M25645	Strap, retainer	1
10	M16656-3	Photo Cell and Bushing Assembly	1
11	M23443-2	Burner Head Assembly	1
12	M11084-27	Screw, Hex. hd., self-tapping No. 10-12 x 1/2 in. (AP)	3
13	M19630	Filter, Fuel	1
14	M16790-14	Tube, Fuel filter	1
15	M13849	Nut, Flared	1
16	M31305	Air Line	1
17	M25727	Fan, 25/32 inch pitch	1
	SF4-2-1/2K	Setscrew, Socket hd. cup point, 1/4-28 x 5/16 (Furnished with fan)	2
18	M31306-01	Motor Package Assembly	1
19	NPC-4C	Nut, Plain, Hex 1/4-20 (AP)	2
20	WLM-4	Lockwasher, 1/4 in.	2
21	HC4-10C	Screw, Hex hd. 1/4-20 x 1-1/4 in.	2
22	M16661	Clamp, Motor	4
23	M25059	Bracket, Motor Support	1
24	M11084-27	Screw, Hex hd. self-tapping, No. 10-12 x 1/2 in.	4
25	1000576	Grommet	2
26	1000577	Grommet	1
27	ST2-2AC	Screw, Rd. hd., No. 8-15 x 1/4 in. (Groundings)	1
28	M11084-26	Screw, Hex hd. self-tapping No. 10-12 x 3/8 in.	2
29	M16841-15	Wire Assembly	1
29A	M16841-16	Wire Assembly	1
30	M13942-5	Connector, Wire	2
31	M13942-7	Connector, Wire	1
32	M28898-03	Control Assembly, Safety	1
33	M25061	Relay, Motor start	1
34	M11084-26	Screw, Rd. hd., No. 10-12 x 3/8 in. (AP)	2
35	M25035	Bracket, Relay	1

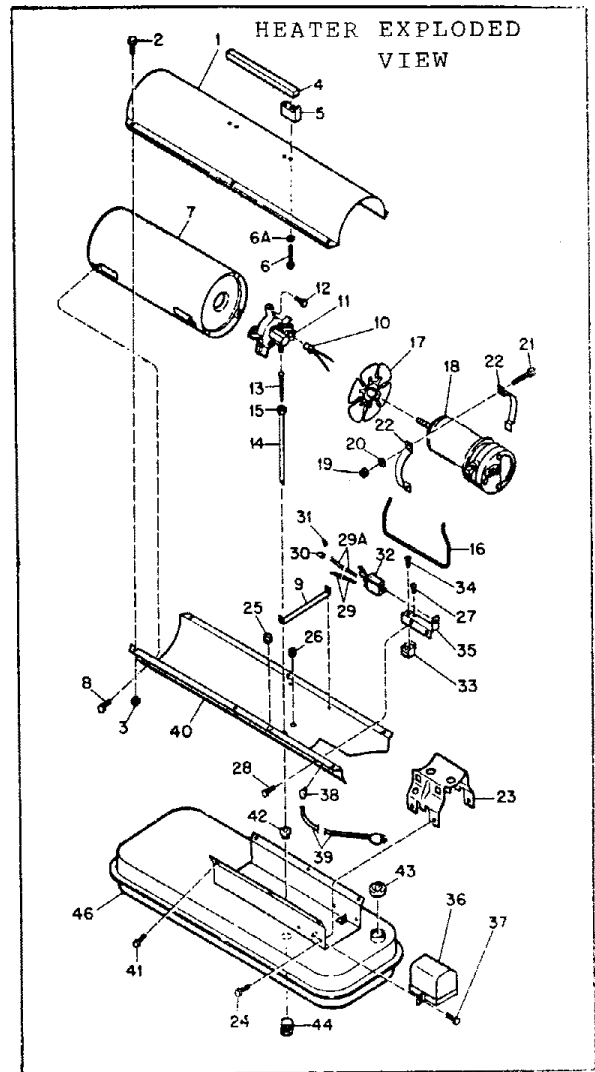


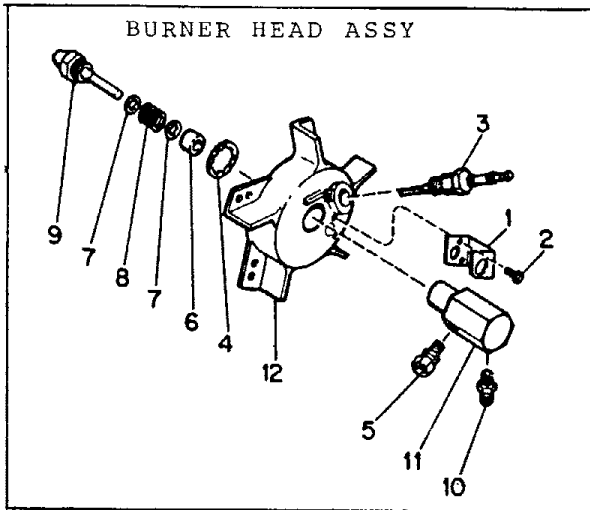
Figure 1. Exploded View

36	M16697-02	Transformer Assembly	1
37	M11084-27	Screw, Hex hd., self-tapping No. 10-12 x 1/2 in.	2
38	M11143-1	Bushing, Strain relief	1
39	M10813-744	Extension Cord Assembly	1
40	M25031E	Lower Shell	1
41	M11084-26	Screw, Hex hd., self-tapping, No. 10-12 x 3/8 in.	4
42	M10990-3	Bushing	1
43	M23284	Cap, Filler Neck	1
45	M27417	Plug Assembly, Drain	1
46	M27553-02A	Fuel Tank Assembly	1

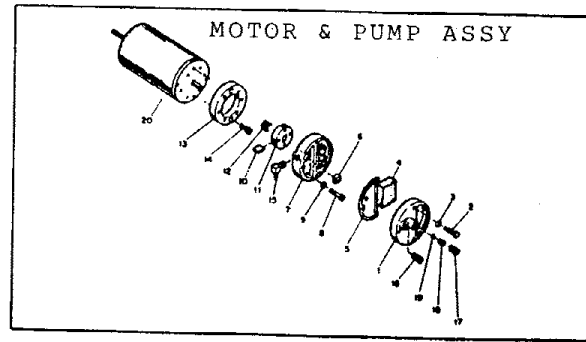
REDDY HEATER M50S SPEC 3183G13

LOW PRESSURE FORM 2907-02

M50092-03



Index No.	Part Number	Part Name	Qty.
16-	M23443-2	Burner Head Assembly	Ref.
1	M16660	. Bracket, Photo Cell	1
2	*M10908-1	. Screw, Hex hd., Self-tapping, No. 6-32 x 1/4 (AP)	2
3	M10962-2	. Spark Plug	1
4	M16741-18	. Ring, Retaining	1
	M23151-2	. Nozzle Adapter Assembly	1
5	M5976	. . Connector, Male	1
6	M8882	. . Sleeve, Nozzle Seal	1
7	M10659-1	. . Washer, Nozzle Seal	2
8	M10809-1	. . Spring, Nozzle Seal	1
9	M13960	. . Nozzle, Aspirating	1
10	M16791	. . Connector, Male	1
11	M16535	. . Adapter, Nozzle	1
12	M25020	. Body, Burner Head	1



Index No.	Part Number	Part Name	Qty.
17-	M31306-01	Motor Package Assembly (See Figure 15)	Ref.
1	M29609	. End Cover, Filter	1
2	*M12461-31	. Screw, Hex hd. No. 10-32 x 1 (AP)	3
4	M29633	. Intake Air Filter	1
5	M28612-01	. Output Filter Assy.	1
6	M29632	. Filter, Lint	1
7	M29608	. Front Cover, Pump (Port Plate)	1
8	*M12461-32	. Screw, Hex hd. No. 10-32 x 1-1/8 (AP)	6
10	M8643	. Blade, Pump	4
11	M22456-1	. Rotor Pump	1
12	M22009	. Insert, Rotor	1
13	M30821	. Pump Body	1
14	*FHPF3-4C	. Screw (Pump Body to Motor)	2
15	M29797	. Elbow, 90°	1
16	M22997	. Plug	1
17	M27694	. Screw, Pressure Adjustment	1
18	M10993-1	. Spring, Compression (Pressure Relief)	1
19	M8940	. Ball, 1/4 in. dia.	1
20	M25022-1	. Motor	1

WIRING DIAGRAM

