

PORTABLE FORCED AIR HEATER

Illustrated Parts List

PFA-22-1

Issued: Nov. 1987

IMPORTANT: Do not use key numbers when ordering service parts. Always order components by part number and description. Include model and serial numbers.

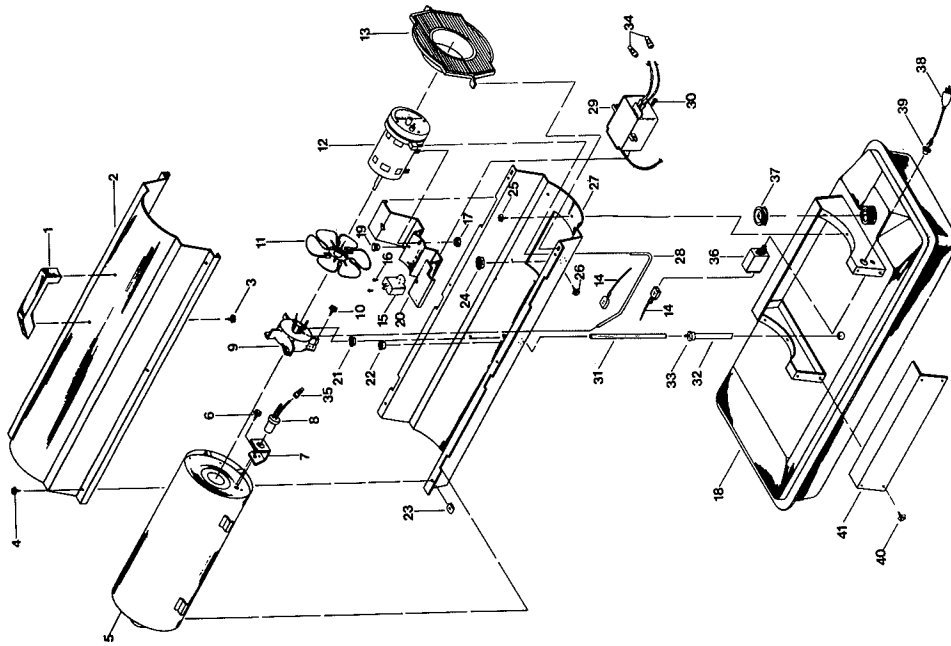
**REDDY
R70A**

KEY NO.	PART NUMBER	DESCRIPTION	QTY.	KEY NO.	PART NUMBER	DESCRIPTION	QTY.
1	M51104-01	Handle	1	16	**	Screw, #8-15 x 1/2	2
2	M50901-01AC	Upper Shell	1	17	NTC-4C	Hex Jam Nut	2
3	M11084-29	Handle Screw	2	18	097137-11	Fuel Tank	1
4	M15823-27	Screw, #10-16 x 1/2	6	19	M50631	Rubber Bumper	2
5	M50785-05	Combustion Chamber	1	20	M51061-01	Motor Bracket	1
6	M10908-2	Screw, #6-32 x 3/8	2	21	M30865-02	Bushing	1
7	M16660	Photocell Bracket	1	22	M25907	Bushing	1
8	M16656-4	Photocell Assembly	1	23	M11271-8	Clip Nut	6
9	***	Burner Head Assembly	1	24	M50104-02	Bushing	1
9-1	M50880-01	Nozzle	1	25	M11084-26	Screw, #10-16 x 3/8	6
9-2	M10659-1	Washer, Nozzle Seal	2	26	M15823-37	Screw, Grounding, #8-18 x 1/4	1
9-3	M10809-1	Spring, Nozzle Seal	1	27	M50902-01AC	Lower Shell	1
9-4	M8882	Seal, Nozzle	1	28	M29652-01	Airline	1
9-5	M51098-02	Body, Burner Head	1	29	098073-01	Ignitor Kit (includes leads)	1
9-6	M50820-01	Fitting, Barb	2	30	M11084-27	Screw, #10-16 x 1/2	2
9-7	M10962-2	Spark Plug	1	31	079973-01	Fuel Line	1
10	M11084-27	Screw, #10-16 x 1/2	3	32	M50876-05	Fuel Filter (includes bushing)	1
11	M51107-01	Fan	1	33	M10990-3	Bushing, Rubber	1
12	***	Motor and Pump Assembly	1	34	**	Wire Connector	2
12-1	097308-01	Motor	1	35	**	Wire Connector	1
12-2	079975-01	Body, Pump	1	36	M50671-01	Safety Control	1
12-3	M22009	Insert	1	37	097702-01	Fuel Cap Kit (includes gasket)	1
12-4	M22456-1	Rotor	1	38	M10813-81	Power Cord	1
12-5	M29608	Cover, End Pump	1	39	M11143-1	Strain Relief Bushing	1
12-6	M29632	Filter, Lint	1	40	M11084-26	Screw, #10-16 x 3/8	2
12-7	M29633	Filter, Intake	1	41	M50899-03AA	Side Cover	1
12-8	M29609	Filter, End Cover	1				
12-9	M12461-31	Screw, #10-32 x 1	3				
12-10	M27694	Screw, Adjusting	1				
12-11	M10993-1	Spring-Pressure Relief	1				
12-12	M22997	Plug	1				
12-13	M8940	Ball, Steel 1/4 Dia.	1				
12-14	M29612-01	Filter, Output	1				
12-15	M12461-31	Screw, #10-32 x 1	9				
12-16	M50016	Elbow, 90°, Barb Fitting	1				
12-17	M8643	Blade	4				
12-18	FHPF3-2C	Screw, #10-32 x 1/4	2				
13	M51571-01	Fan Guard	1		HA1200	Hang-up Thermostat	
14	**	Wire Assembly (red, 6")	2		HA1202	Wheel Kit, Heavy Duty	
15	097061-01	Solid State Relay	1		HA1206	Wheel Kit, Standard	
					HA1180	Air Gauge Kit	
					PARTS AVAILABLE - NOT SHOWN		
					097204-03	Decal, Tradename	
					OPTIONAL ACCESSORIES		

** Available at your local hardware store.

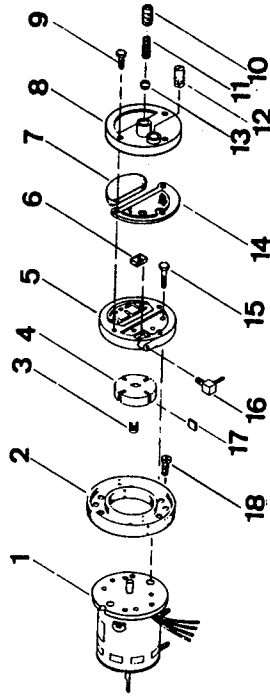
*** Not available as an assembly.

HEATER EXPLODED VIEW



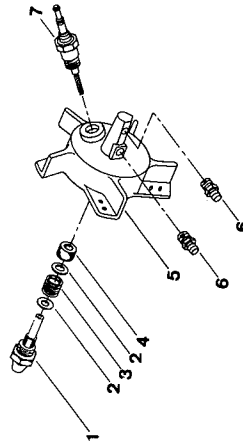
MOTOR PACKAGE ASSEMBLY

12

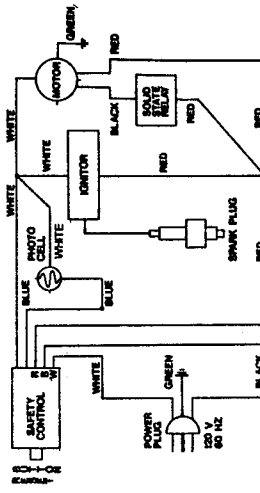


BURNER HEAD ASSEMBLY

9



WIRING DIAGRAM



SPECIFICATIONS

Output Rating (BTU Per Hour)
 Fuel
 Fuel Tank Capacity (U. S. Gallons)
 Fuel Consumption (Approximate U.S. Gallons Per Hour)
 Electric Requirements
 Amperage (During Normal Run)
 Starting Amps

70,000
 Kerosene or #1 fuel oil
 5
 0.52
 120V/60Hz
 2.7
 8

Motor RPM
 Hot Air Output (Approximate CFM)
 Air Pump Pressure (PSI)
 Shipping Weight (Approximate Pounds)
 Heater Weight Without Fuel (Approximate Pounds)

3450
 253
 4.0
 44
 37